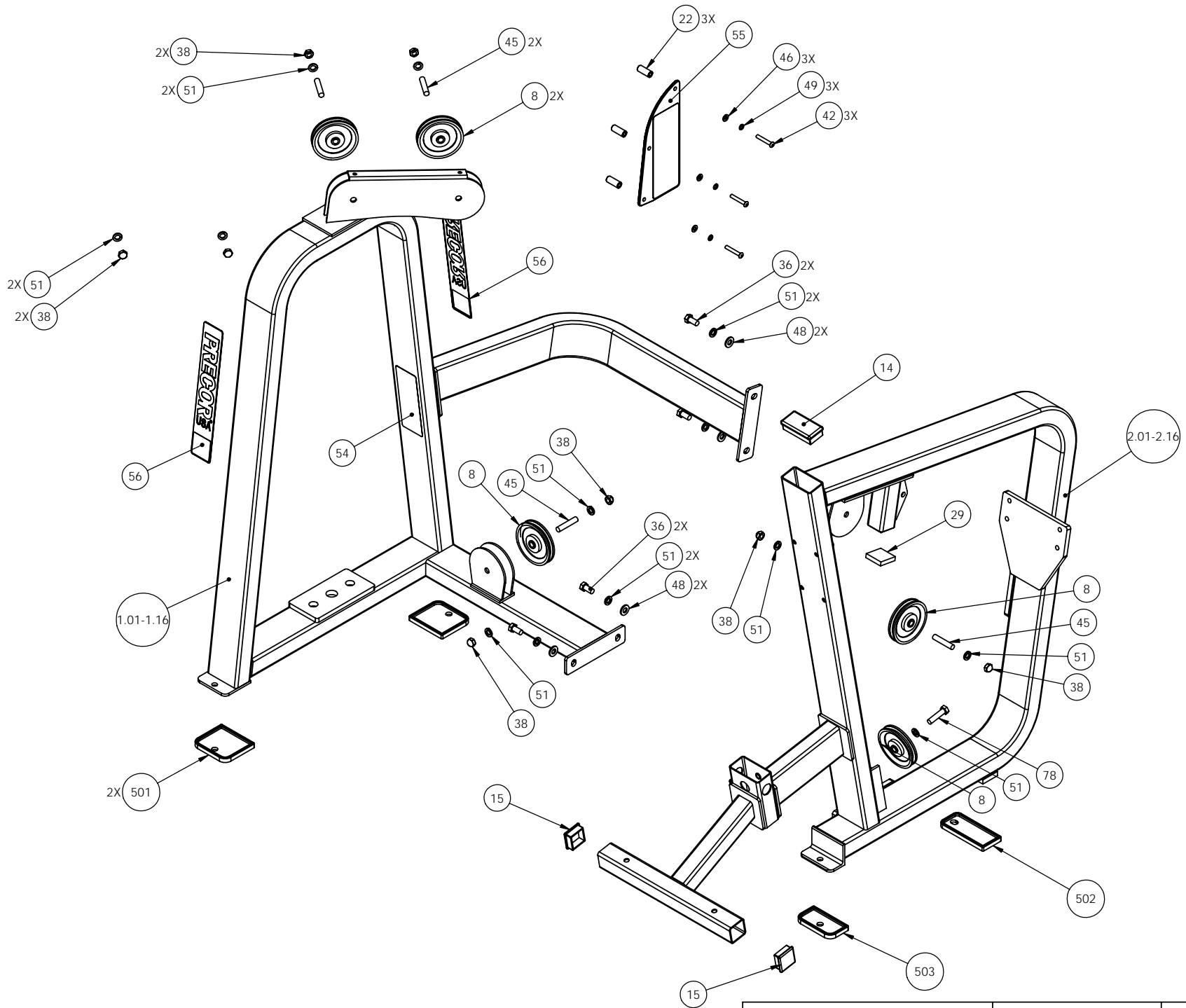
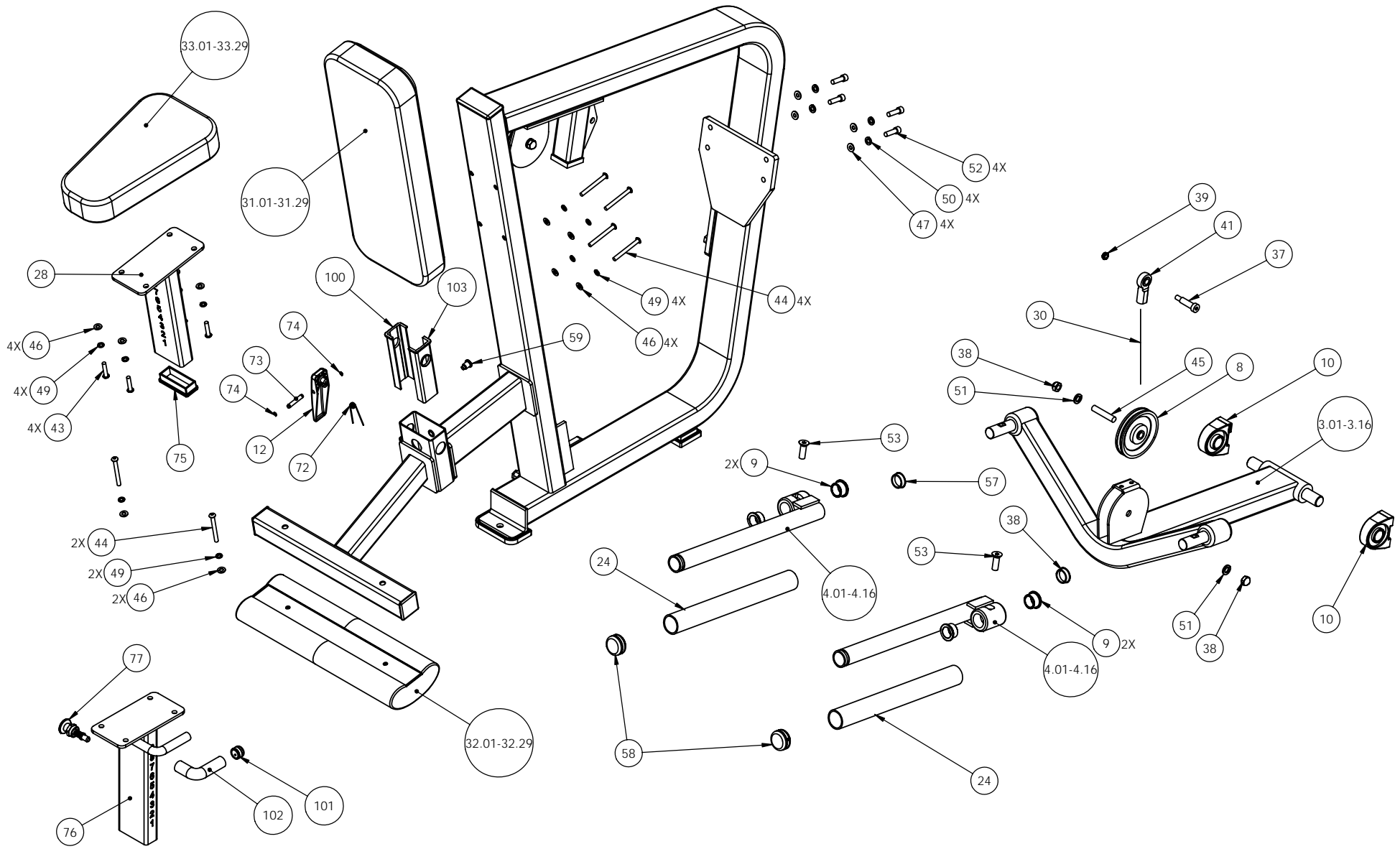


| | | |
|---------------|-------------------|--------------|
| 215 | P/N : CW31159-102 | SUBREV : C |
| DRAWN BY : CT | DATE : 11.12.05 | SHEET 1 OF 4 |

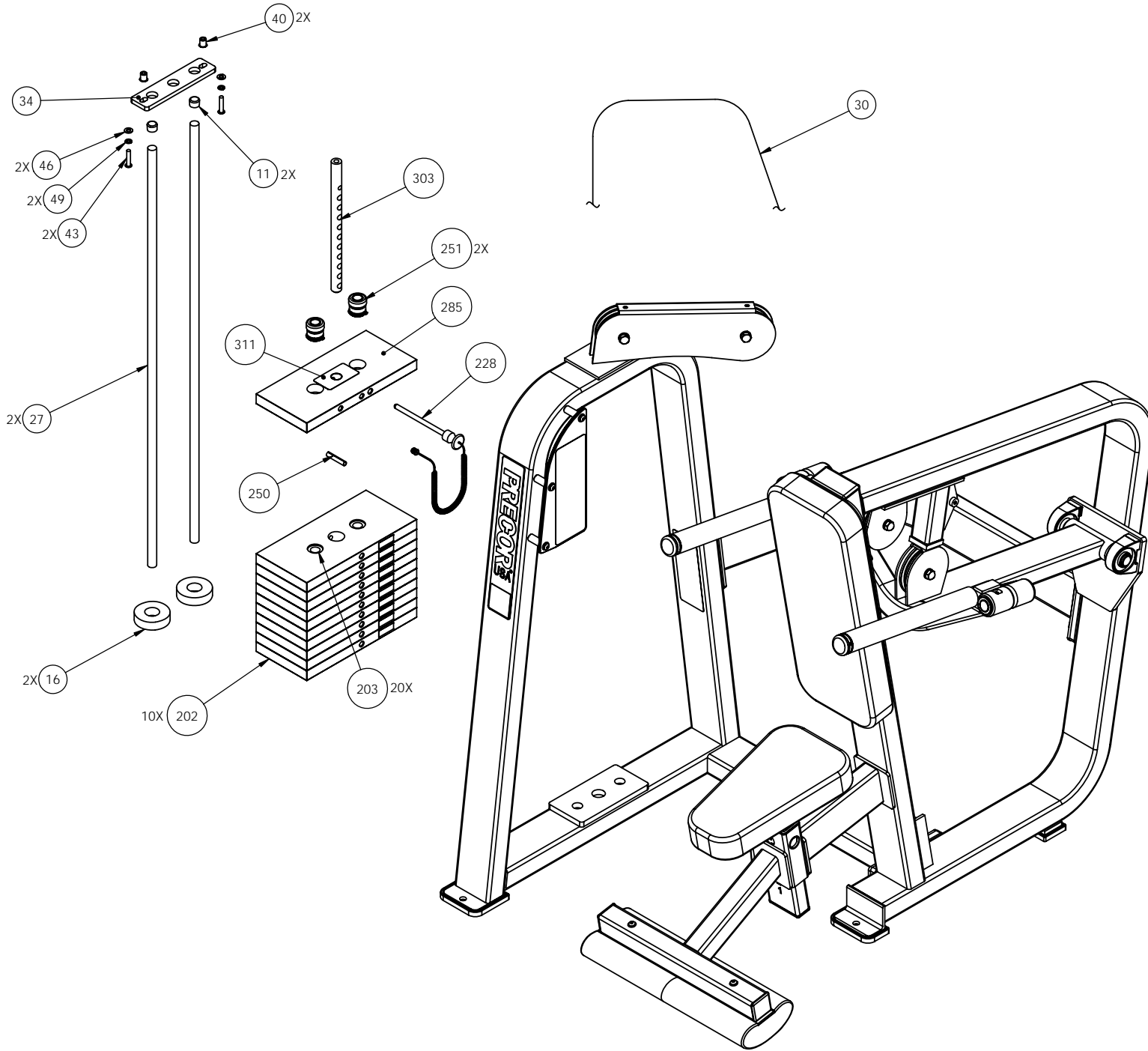


| | | |
|---------------|-------------------|--------------|
| 215 | P/N : CW31159-102 | SUBREV : C |
| DRAWN BY : CT | DATE : 11.12.05 | SHEET 2 OF 4 |



SEAT SUPPORT PRIOR
TO 6/23/2005

| | | |
|---------------|-------------------|--------------|
| 215 | P/N : CW31159-102 | SUBREV : C |
| DRAWN BY : CT | DATE : 11.12.05 | SHEET 3 OF 4 |



| | | |
|---------------|-------------------|--------------|
| 215 | P/N : CW31159-102 | SUBREV : C |
| DRAWN BY : CT | DATE : 11.12.05 | SHEET 4 OF 4 |

215 Seated Dip

| Part Number | Description | Bubble Number |
|--------------|-------------------------------------|---------------|
| CW215SA1-211 | ASSY,FRAME,MAIN,215,SKY WHITE | 1.01 |
| CW215SA1-221 | ASSY,FRAME,MAIN,215,BLACK | 1.02 |
| CW215SA1-231 | ASSY,FRAME,MAIN,215,RED | 1.03 |
| CW215SA1-241 | ASSY,FRAME,MAIN,215,PLATINUM SPRKLE | 1.04 |
| CW215SA1-251 | ASSY,FRAME,MAIN,215,SILVER | 1.05 |
| CW215SA1-261 | ASSY,FRAME,MAIN,215,BLUE | 1.06 |
| CW215SA1-271 | ASSY,FRAME,MAIN,215,CHARCOAL | 1.07 |
| CW215SA1-281 | ASSY,FRAME,MAIN,215,CATHEDRAL GRAY | 1.08 |
| CW215SA1-291 | ASSY,FRAME,MAIN,215,SILVER VIEN | 1.09 |
| CW215SA1-321 | ASSY,FRAME,MAIN,215,TITANIUM HG | 1.12 |
| CW215SA1-331 | ASSY,FRAME,MAIN,215,WHITE GLOSS | 1.13 |
| CW215SA1-341 | ASSY,FRAME,MAIN,215,BLACK ONYX | 1.14 |
| CW215SA1-351 | ASSY,FRAME,MAIN,215,LIGHT BRONZE | 1.15 |
| CW215SA1-361 | ASSY,FRAME,MAIN,215,SAPPHIRE BLUE | 1.16 |
| CW215SA2-211 | ASSY,SEAT FRAME,215, SKY WHITE | 2.01 |
| CW215SA2-212 | ASSY,SEAT FRAME,215, SKY WHITE | 2.01 |
| CW215SA2-221 | ASSY,SEAT FRAME,215, BLACK | 2.02 |
| CW215SA2-231 | ASSY,SEAT FRAME,215, RED | 2.03 |
| CW215SA2-241 | ASSY,SEAT FRAME,215, PLATINUM SPRKL | 2.04 |
| CW215SA2-251 | ASSY,SEAT FRAME,215, SILVER | 2.05 |
| CW215SA2-261 | ASSY,SEAT FRAME,215, BLUE | 2.06 |
| CW215SA2-271 | ASSY,SEAT FRAME,215, CHARCOAL | 2.07 |
| CW215SA2-281 | ASSY,SEAT FRAME,215, CATHEDRAL GREY | 2.08 |
| CW215SA2-291 | ASSY,SEAT FRAME,215, SILVER VIEN | 2.09 |
| CW215SA2-321 | ASSY,SEAT FRAME,215, TITANIUM HG | 2.12 |
| CW215SA2-322 | ASSY,SEAT FRAME,215, TITANIUM HG | 2.12 |
| CW215SA2-331 | ASSY,SEAT FRAME,215, WHITE GLOSS | 2.13 |
| CW215SA2-341 | ASSY,SEAT FRAME,215, BLACK ONYX | 2.14 |
| CW215SA2-351 | ASSY,SEAT FRAME,215, LIGHT BRONZE | 2.15 |
| CW215SA2-361 | ASSY,SEAT FRAME,215, SAPPHIRE BLUE | 2.16 |
| CW215SA3-211 | ASSY, ARM, 215,SKY WHITE | 3.01 |
| CW215SA3-221 | ASSY, ARM, 215,BLACK | 3.02 |
| CW215SA3-231 | ASSY, ARM, 215,RED | 3.03 |
| CW215SA3-241 | ASSY, ARM, 215,PLAT SPKLE | 3.04 |
| CW215SA3-251 | ASSY, ARM, 215,SILVER | 3.05 |
| CW215SA3-261 | ASSY, ARM, 215,BLUE | 3.06 |
| CW215SA3-271 | ASSY, ARM, 215,CHARCOAL | 3.07 |
| CW215SA3-281 | ASSY, ARM, 215,CATH GRY | 3.08 |
| CW215SA3-291 | ASSY, ARM, 215,SILVER VIEN | 3.09 |
| CW215SA3-321 | ASSY, ARM, 215,TITANIUM HG | 3.12 |
| CW215SA3-331 | ASSY, ARM, 215,WHITE GLOSS | 3.13 |
| CW215SA3-341 | ASSY, ARM, 215,BLACK ONYX | 3.14 |
| CW215SA3-351 | ASSY, ARM, 215,LIGHT BRONZE | 3.15 |
| CW215SA3-361 | ASSY, ARM, 215,SAPPHIRE BLUE | 3.16 |
| CW30140-101 | LABEL,INSTRUCTION,215 | 5 |
| CWAC1001-101 | LABEL, "ICARIAN", 1 1/2 X 8 1/8 | 6 |
| CWAC1002-101 | LABEL, "ICARIAN", 3 X 16 3/8 | 7 |
| CW10043-134 | BUSHING, BRONZE, 1" ID X 1 1/4" OD | 9 |

| | | |
|---------------|-------------------------------------|-------|
| CW11311-102 | ENDCAP, REC TUBE, 2X4, BLK PLASTIC | 14 |
| CW11311-103 | ENDCAP, REC TUBE, 2X2, BLK PLASTIC | 15 |
| CW34822-101 | LABEL, "ASSEMBLED IN THE USA" | 17 |
| CWAC1161-101 | LABEL, ROUND, "MADE IN USA" | 17 |
| CWAC1183-101 | LABEL, WARNING, SERIOUS INJURY | 19 |
| CWGR4915-000 | GRIP, RUBBER, 1.50" OD HANDLE, 15.0 | 24 |
| CW30014-203 | CUT PIECE, CREPE, 3/8 THICK, 2.00 X | 29 |
| CWCLGP174-250 | ASSY, CABLE, 215 | 30 |
| CWPD1104B-101 | PAD,9X24,4HOLES,W/BP,BLACK | 31.01 |
| CWPD1104B-102 | PAD,9X24,4HOLES,W/BP,RYL BL | 31.02 |
| CWPD1104B-103 | PAD,9X24,4HOLES,W/BP,DVE GRY | 31.03 |
| CWPD1104B-104 | PAD,9X24,4HOLES,W/BP,CROCUS | 31.04 |
| CWPD1104B-105 | PAD,9X24,4HOLES,W/BP,GROTTO | 31.05 |
| CWPD1104B-106 | PAD,9X24,4HOLES,W/BP,GRAPHITE | 31.06 |
| CWPD1104B-107 | PAD,9X24,4HOLES,W/BP,RED | 31.07 |
| CWPD1104B-108 | PAD,9X24,4HOLES,W/BP,CHN GRN | 31.08 |
| CWPD1104B-109 | PAD,9X24,4HOLES,W/BP,TURQSE | 31.09 |
| CWPD1104B-110 | PAD,9X24,4HOLES,W/BP,RASP | 31.1 |
| CWPD1104B-111 | PAD,9X24,4HOLES,W/BP,PLUM | 31.11 |
| CWPD1104B-112 | PAD,9X24,4HOLES,W/BP,REGIMENT | 31.12 |
| CWPD1104B-113 | PAD,9X24,4HOLES,W/BP,SPC BLUE | 31.13 |
| CWPD1104B-115 | PAD,9X24,4HOLES,W/BP,BLK LTHR | 31.15 |
| CWPD1104B-116 | PAD,9X24,4HOLES,W/BP,NVBL LTH | 31.16 |
| CWPD1104B-117 | PAD,9X24,4HOLES,W/BP,PUTTY | 31.17 |
| CWPD1104B-118 | PAD,9X24,4HOLES,W/BP,IMPRL BLUE | 31.18 |
| CWPD1104B-119 | PAD,9X24,4HOLES,W/BP,YEW GREEN | 31.19 |
| CWPD1104B-120 | PAD,9X24,4HOLES,W/BP,DUSTY JADE | 31.2 |
| CWPD1104B-121 | PAD,9X24,4HOLES,W/BP,TERRA COTTA | 31.21 |
| CWPD1104B-122 | PAD,9X24,4HOLES,W/BP,PAPRIKA | 31.22 |
| CWPD1104B-123 | PAD,9X24,4HOLES,W/BP,ASH LTHR | 31.23 |
| CWPD1104B-124 | PAD,9X24,4HOLES,W/BP,CERULEAN LTHR | 31.24 |
| CWPD1104B-125 | PAD,9X24,4HOLES,W/BP,CHARCOAL LTHR | 31.25 |
| CWPD1104B-126 | PAD,9X24,4HOLES,W/BP,HUNTER LTHR | 31.26 |
| CWPD1104B-127 | PAD,9X24,4HOLES,W/BP,MOSS LTHR | 31.27 |
| CWPD1104B-128 | PAD,9X24,4HOLES,W/BP,SPICE LTHR | 31.28 |
| CWPD1104B-129 | PAD,9X24,4HOLES,W/BP,TOMATO LTHR | 31.29 |
| CWPD1141J-101 | PAD,4X19,2HOLES,W/BP,BLACK, W/SLIP | 33.01 |
| CWPD1141J-102 | PAD,4X19,2HOLES,W/BP,RYL BL, W/SLIP | 33.02 |
| CWPD1141J-103 | PAD,4X19,2HOLES,W/BP,DVE GRY, W/SLI | 33.03 |
| CWPD1141J-104 | PAD,4X19,2HOLES,W/BP,CROCUS, W/SLIP | 33.04 |
| CWPD1141J-105 | PAD,4X19,2HOLES,W/BP,GROTTO, W/SLIP | 33.05 |
| CWPD1141J-106 | PAD,4X19,2HOLES,W/BP,GRAPHITE, W/SL | 33.06 |
| CWPD1141J-107 | PAD,4X19,2HOLES,W/BP,RED, W/SLIP | 33.07 |
| CWPD1141J-108 | PAD,4X19,2HOLES,W/BP,CHN GRN, W/SLI | 33.08 |
| CWPD1141J-109 | PAD,4X19,2HOLES,W/BP,TURQSE,W/SLIP | 33.09 |
| CWPD1141J-110 | PAD,4X19,2HOLES,W/BP,RASP, W/SLIP | 33.1 |
| CWPD1141J-111 | PAD,4X19,2HOLES,W/BP,PLUM, W/SLIP | 33.11 |
| CWPD1141J-112 | PAD,4X19,2HOLES,W/BP,REGIMENT,W/SLI | 33.12 |
| CWPD1141J-113 | PAD,4X19,2HOLES,W/BP,SPC BLUE,W/SLI | 33.13 |
| CWPD1141J-115 | PAD,4X19,2HOLES,W/BP,BLK LTHR,W/SLI | 33.15 |
| CWPD1141J-116 | PAD,4X19,2HOLES,W/BP,NVBL LTH,W/SLI | 33.16 |
| CWPD1141J-117 | PAD,4X19,2HOLES,W/BP,PUTTY,W/SLIP | 33.17 |

| | | |
|----------------|-------------------------------------|--------|
| CWPD1141J-118 | PAD,4X19,2HOLES,W/BP,IMPRL BL,W/SLI | 33.18 |
| CWPD1141J-119 | PAD,4X19,2HOLES,W/BP,YEW GRN,W/SLIP | 33.19 |
| CWPD1141J-120 | PAD,4X19,2HOLES,W/BP,DSTY JD,W/SLIP | 33.2 |
| CWPD1141J-121 | PAD,4X19,2HOLES,W/BP,TER COT,W/SLIP | 33.21 |
| CWPD1141J-122 | PAD,4X19,2HOLES,W/BP,PAPRIKA,W/SLIP | 33.22 |
| CWPD1141J-123 | PAD,4X19,2HOLES,W/BP,ASH LTHR,W/SLI | 33.23 |
| CWPD1141J-125 | PAD,4X19,2HOLES,W/BP,CHARCOAL LTHR, | 33.25 |
| CWPD1141J-126 | PAD,4X19,2HOLES,W/BP,HUNTER LTHR,W/ | 33.26 |
| CW30109-220 | WEIGHT STACK,220 LBS,LTP-S,10 X 20 | 35 |
| CW12537-109 | NUT,INSERT,THIN-NUT,LARGE FLANGE | 40 |
| CW30139-101 | ASSY, LABEL,INSTRUCTION,215 | 55 |
| CW31756-101 | LABEL, PRECOR USA ICARIAN LINE | 56 |
| CW11095-105 | CAP, PLASTIC, HEYCO, DOME PLUG, 1.2 | 57 |
| CWAC242-901 | HANDLE END CAP W/SET SCREWS, DIA 1 | 58 |
| CW30181-711 | ASSY,SEAT SUPPORT,9 HOLE,CHM | 76 |
| CW30165-752 | ASSY, POP PIN, 0.450 DIA NOSE, BLU | 77 |
| CWAC220-901 | HANDLE END CAP W/SET SCREWS, DIA 3/ | 101 |
| CWGR4805-000 | GRIP, RUBBER, .75" OD HANDLE, 5.00" | 102 |
| CW10043-134 | BUSHING, BRONZE, 1" ID X 1 1/4" OD | 104 |
| CW11095-105 | CAP, PLASTIC, HEYCO, DOME PLUG, 1.2 | 106 |
| CWAC242-901 | HANDLE END CAP W/SET SCREWS, DIA 1 | 107 |
| CWGR4915-000 | GRIP, RUBBER, 1.50" OD HANDLE, 15.0 | 108 |
| CW30491-301 | WELDMENT, PIVOTING, HANDLE, PT, CUS | 178.02 |
| CWAC1133-101 | BUSHING, WEIGHT PLATE, LDPE PLASTIC | 203 |
| CW33870-102 | ASSEMBLY, 5" WEIGHT STACK PIN & LEA | 228 |
| CW30184-901 | ASSY,BARREL,TOP PLATE,ALUMINUM,SHRT | 251 |
| CW10519-721 | PLATE, WEIGHT, 20 LBS, WRKL BLK | 279 |
| CW10570-722 | PLATE, WEIGHT, LARGE TOP (LTP-S), | 285 |
| CW33267-101 | LABELS,WEIGHT STACK,220 LBS,40-220 | 399 |
| CW12537-109 | NUT,INSERT,THIN-NUT,LARGE FLANGE | 400 |
| CWPF3143-211 | SHROUD,SHEET,STEEL,4 BENDS, SKY WHI | 402.01 |
| CWPF3143-221 | SHROUD,SHEET,STEEL,3/32 THICK,4 BEN | 402.02 |
| CWPF3143-231 | SHROUD,SHEET,STEEL,3/32 THICK,4 BEN | 402.03 |
| CWPF3143-241 | SHROUD,SHEET,STEEL,3/32 THICK,4 BEN | 402.04 |
| CWPF3143-251 | SHROUD,SHEET,STEEL,3/32 THICK,4 BEN | 402.05 |
| CWPF3143-261 | SHROUD,SHEET,STEEL,3/32 THICK,4 BEN | 402.06 |
| CWPF3143-271 | SHROUD,SHEET,STEEL,3/32 THICK,4 BEN | 402.07 |
| CWPF3143-281 | SHROUD,SHEET,STEEL,3/32 THICK,4 BEN | 402.08 |
| CWPF3143-291 | SHROUD,SHEET,STEEL,3/32 THICK,4 BEN | 402.09 |
| CWPF3143-311 | SHROUD,SHEET,STEEL,3/32 THICK,4 BEN | 402.11 |
| CWPF3143-321 | SHROUD,SHEET,STEEL,4 BENDS, TITANIU | 402.12 |
| CWPF3143-331 | SHROUD,SHEET,STEEL,3/32 THICK,4 BEN | 402.13 |
| CWPF3143-341 | SHROUD,SHEET,STEEL,3/32 THICK,4 BEN | 402.14 |
| CWPF3143-351 | SHROUD,SHEET,STEEL,3/32 THICK,4 BEN | 402.15 |
| CWPF3143-361 | SHROUD,SHEET,STEEL,3/32 THICK,4 BEN | 402.16 |
| CWPF3143-711 | SHROUD,SHEET,STEEL,3/32 THICK,4 BEN | 402.17 |
| CWPF3144-721 | SHROUD BRKT,PLATE,STEEL,1/8 THICK,1 | 403 |
| CWPF3145-721 | SHROUD BRKT,PLATE,STEEL,1/8 THICK,2 | 404 |
| CWTAYN031-100 | SCREW, BUTTON HEAD, BLK XYLAN, 5/16 | 405 |
| CWWALYN031-008 | WASHER, SPLIT, 5/16 ID, BL | 406 |
| CWWBKN031-007 | WASHER, FLAT, TYPE A, SAE, 5/16 ID | 407 |
| CWAC1177-101 | FLOOR PROTECTOR, RUBBER, 4.563 X 4. | 501 |

| | | |
|--------------|-------------------------------------|-----|
| CWAC1178-101 | FLOOR PROTECTOR, RUBBER, 2.563 X 6. | 502 |
| CWAC1179-101 | FLOOR PROTECTOR, RUBBER, 4.813 X 2. | 503 |